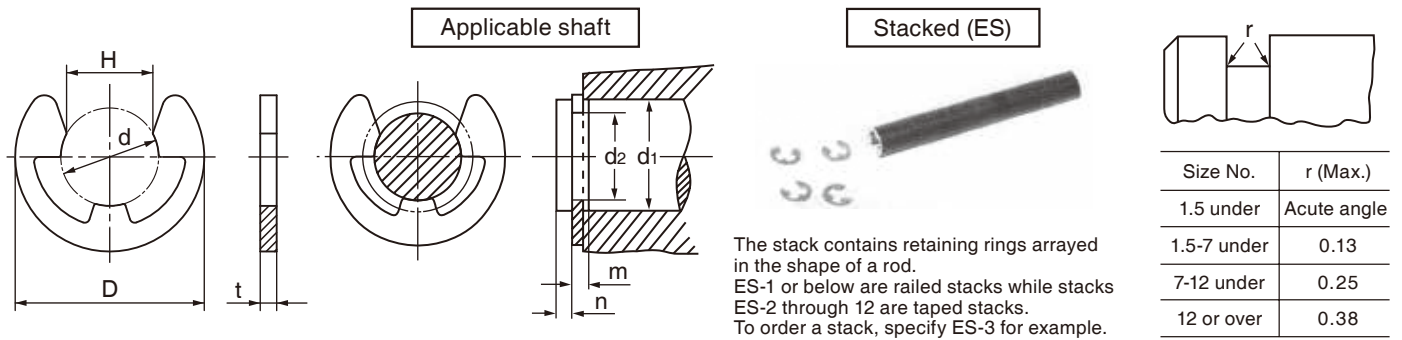


# E-Ring



Unit: mm

Size No.	Retaining rings								Applicable shaft							
	d		D		H		t		Class of d <sub>1</sub>		d <sub>2</sub>		m		n	
	Basic	Tol.	Basic	Tol.	Basic	Tol.	Basic	Tol.	Or over	Under	Basic	Tol.	Basic	Tol.	Min.	
ETW- 0.6	0.6	±0.02	1.5	±0.1	0.45	±0.02	0.2	±0.02	0.8	1	0.65	+0.05 0	0.3	+0.05 0	0.4	
0.7	0.67	0	2		0.55	-0.1	0.2		0.9	1.2	0.7		0.3		0.4	
0.8	0.8	-0.08	2		0.7	0.2	0.2		1	1.4	0.82		0.3		0.4	
1	0.98	-0.09	2.8	±0.1	0.88	0	0.2	±0.025	1.3	1.7	1	+0.06 0	0.3	+0.1 0	0.5	
1.2	1.2		3		1		0.3		1.4	2	1.23		0.4		0.6	
1.5	1.5		4		1.3		0.4		2	2.5	1.53		0.5		0.8	
1.9	1.9	0	4.5	±0.2	1.7	-0.25	0.4	±0.03	2.5	3	1.93	+0.075 0	0.5	+0.1 0	1	
2	2	5	1.7		0.4	2.5	3.2		2.05	0.5	1					
2.3	2.3	6	2		0.4	3	4		2.35	0.5	1					
2.5	2.5	-0.12	6	±0.2	2.1	-0.3	0.4	±0.04	3.2	4	2.55	+0.09 0	0.5	+0.14 0	1	
3	3		7		2.6		0.6		4	5	3.05		0.7		1	
3.2	3.2		7		2.8		0.6		4	5	3.25		0.7		1.2	
4	4	0	9	±0.3	3.5	0	0.6	±0.05	5	7	4.05	+0.11 0	0.7	+0.14 0	1.2	
5	5	11	4.3		-0.3	0.6	6		8	5.05	0.7		1.2			
6	6	12	5.2		0.8	7	9		6.05	0.9	1.2					
7	7	-0.15	14	±0.3	6.1	-0.35	0.8	±0.06	8	11	7.1	+0.13 0	0.9	+0.14 0	1.5	
8	8		16		6.9		0.8		9	12	8.1		0.9		1.8	
9	9		18		7.8		0.8		10	14	9.1		0.9		2	
10	10	-0.18	20	±0.3	8.7	0	1	±0.07	11	15	10.15	0	1.15	+0.14 0	2	
12	12		23		10.4		1		13	18	12.15		+0.11		1.15	2.5
15	15		29		13		-0.45		1.5	±0.06	16		24		15.15	0
19	19	0	37	±0.3	16.5	-0.5	1.5	±0.07	20	31	19.15	0	1.65	+0.14 0	3.5	
24	24	-0.21	44		20.8		2		25	38	24.15		0		2.2	4

Material = Carbon spring steel Hardness = 44 through 53HRC, Finish =Zinc Plate plus Chromate Phosphate coating (ACP)  
Material = Stainless steel for spring

**Notes**

- ETW is bulk in small bags, ES is stacked.
- The stack packages for the E Ring include 3 types of stacks according to the size and material.
  - The package for ES-0.6 to ES-1 is stacked in a rail.
  - The package for ES-1.2 to ES-12 is stacked with paper tape.
  - The stainless package consists of rings of up to 10 dia. stacked with vinyl tape.
  - When requesting stack products, specify them.
- Our products with little marketability may not be in stock. When employing our products, consult with us for their availability.