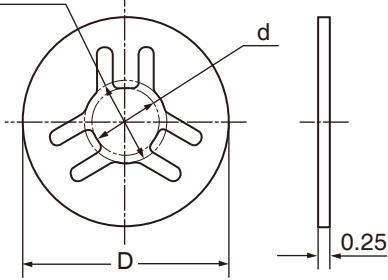
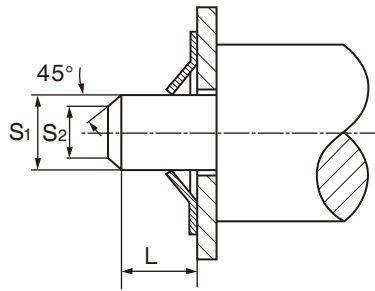


Flat Push Nut

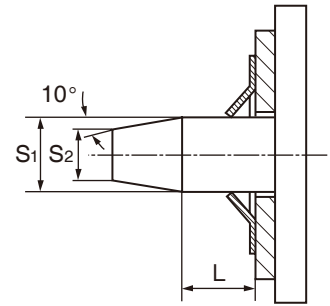
G (Guide hole diameter)



Metal



Plastics



Unit: mm

Size No.	Flat Push Nut							Applicable stud ^{Note 2}			
	d		D		G		Number of teeth	Metal & Plastics			
	Basic	Tol.	Basic	Tol.	Basic	Tol.		S ₁	S ₂	L	
FSPN-2	1.6	±0.05	7	±0.2	2.2	±0.05	3	2	+0.1	1.5	Approx.3
3	2.6		8		3.2		3	3	-0.03	2	
4	3.6		9		4.2		4	4	$\left(\begin{matrix} +0.1 \\ 0 \end{matrix}\right)^3$ ^{Note}	3	
5	4.6		10		5.2		5	5		4	

Material = Carbon spring steel

Notes

1. Type of packing: Stack (500 pieces per stack)
2. A preferable hardness for metal shafts is 200HV or lower. When rigid shafts are to be applied, consult with us.
3. The tolerance value in parentheses is for plastic material.
4. Our products with little marketability may not be in stock. When employing our products, consult with us for their availability.